



ToSToken

WHITEPAPER

WHY ARE WE HERE?

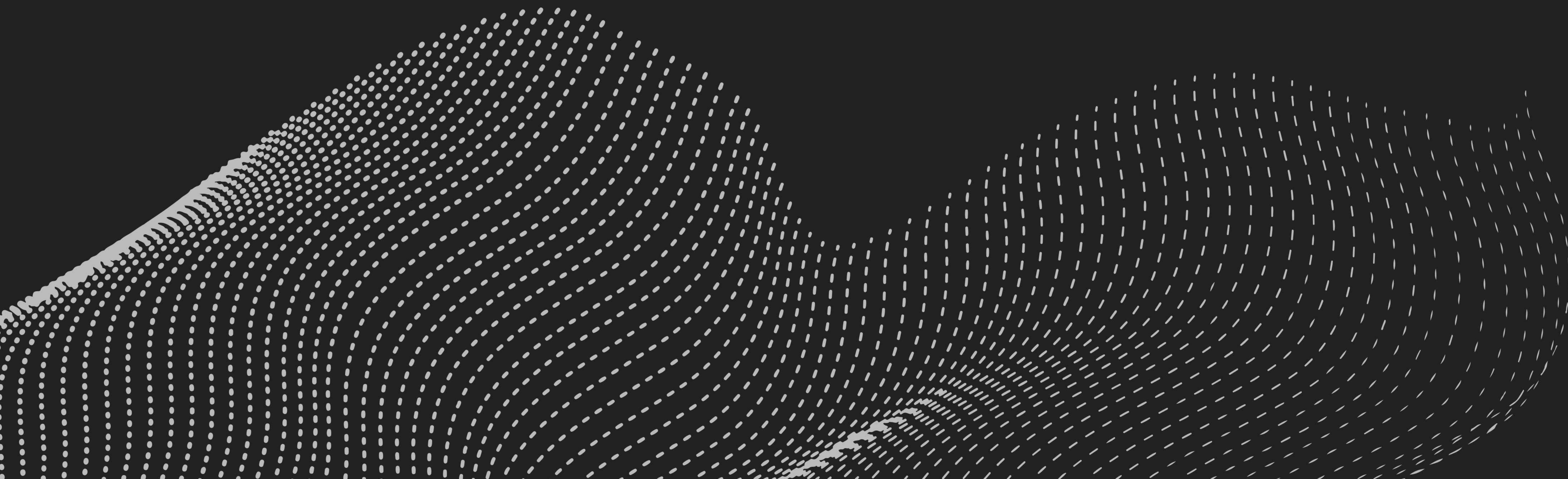
© ToSToken 2023. ~ All rights reserved.

Introduction

Mission

Project Goal

Tokenomics



Introduction



- Since the dawn of time, there have only been minor gaps in our economic history where investment and business opportunities like crypto are possible. After coming to the crypto industry in 2013 and studying current market demands, the natural step for us was to create a project that is powerful and touches people and that was ToSToken.
- Lately, we have seen the Binance Smart Chain's (hereinafter: "BSC") immense growth, together with its native token, BNB. To help create the ecosystem that Ethereum has become, with the benefits that BSC delivers.

Projects Goal

Our plans focus on our three fold approach: Community, Product and Ecosystem. As an ToST, we cannot solely rely on the value of our product to navigate the competitive landscape. Therefore we designed our core roadmap primarily around what we believe to be the strongest marketing tactics, that is of course community and ecosystem.

On launch, we will have the highest number of BSC-based feeds being served by ToST on BSC.

Post-launch, we will turn our attention to the community, to gauge the highest in demand product extensions we can build. Initially, we will launch our special 'one-off' service, which allows any dApp to query virtually any type of result. Whether that be of a presidential election, UFC fight or the price of coffee, our unique and malleable contract opens up a whole realm of possibilities for dApps contributors and ToST builders.

Tokenomics

TOKENOMICS

Total supply : 10,000,000,000 ToST

2% Burn Fee 3% Tax Fee

Symbol : ToST

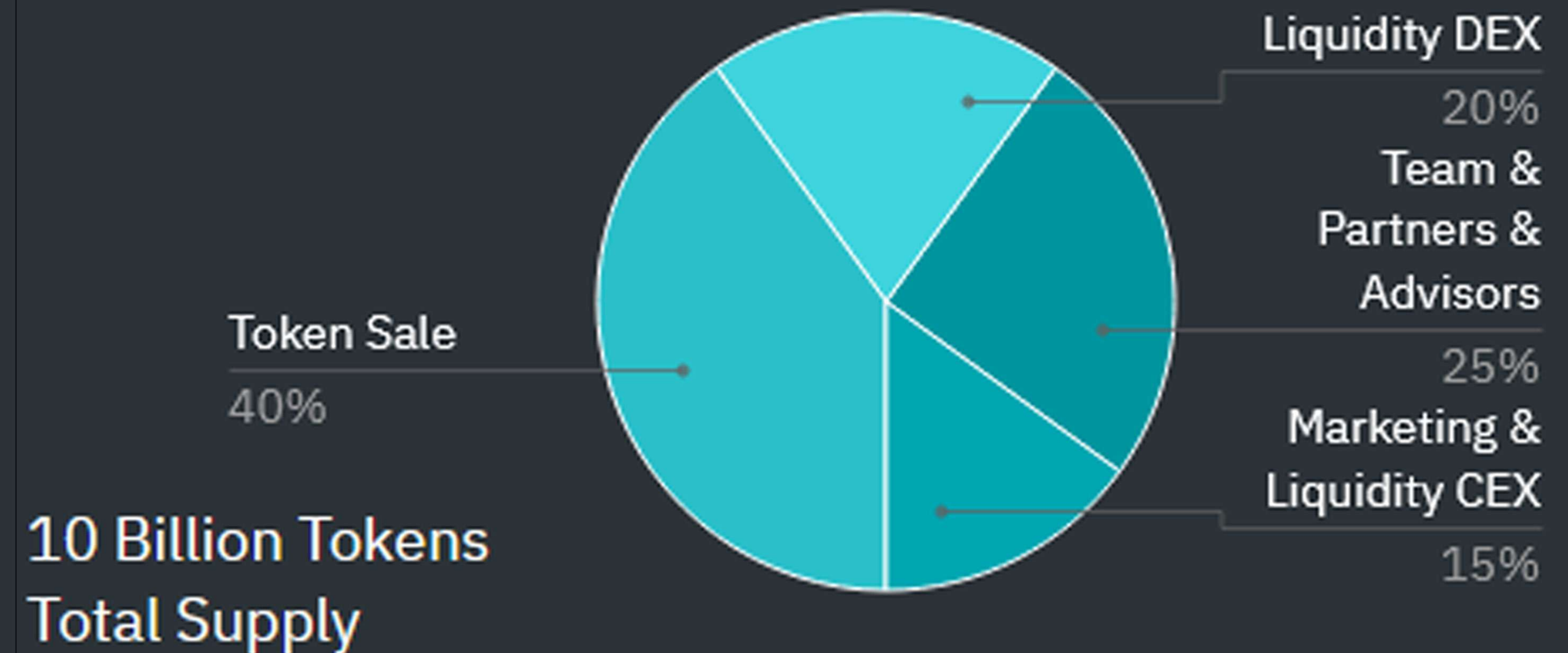
Network : BSC

Decimal : 8

Contract :

0x4e4bc25f7824141872cd940d86b3018c4af77888

TOKEN ALLOCATIONS



ToST Mission

Blockchain technologies

One of the objectives of the project is, in fact, to improve the existing paradigm of remote work and collaboration, by introducing guarantees and safety measures that are typical of traditional work environments. This goal will be achieved by fully exploiting the specific peculiarities of Blockchain technologies

Roadmap

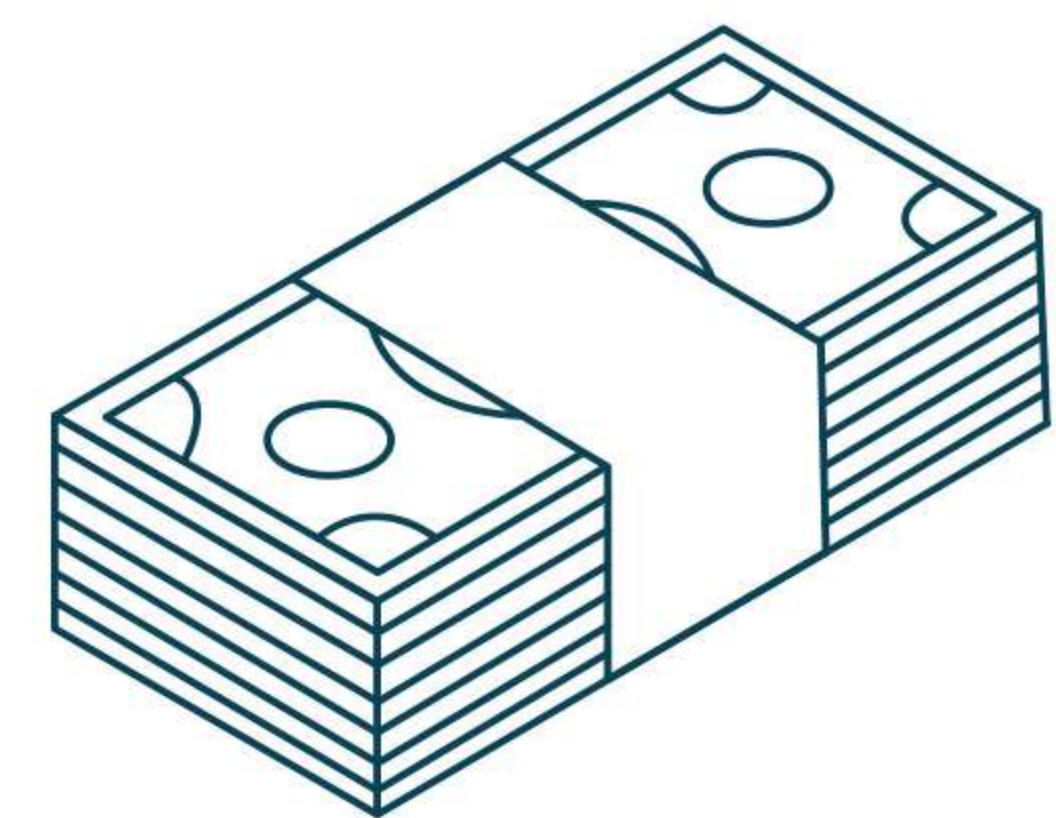
2023Q3

- ToST Website to be Completed
- ToST Social Media Campaigns Will Be Launched
- Agreement with Working Partners and Influencers
- It will be worked on to be listed on CoinMarketCap.
- Gecko Will Also Be Worked To Be Listed.
- Will Be Worked To List On Pancakeswap.
- Partnership with Youtube Publishers
- Media and Advertising Study
- Airdrop Distributions Will Begin

2023Q4

- Deployment of ToST's Beta network.
- Community grant program starts.
- Expansion of ToST's technical documentation and code samples to facilitate on-boarding of new validators and customers.

ToST Wallets



The main objectives of the dev wallet are:

1. Team salary: if the project succeeds, there will be some funds used to pay the team for their efforts.
2. Investments: project require some investments to ensure long-term viability. The expected main areas of investment are:
 - a. Licencing
 - b. Marketing
 - c. Listing fees for exchanges
 - d. Providing free usable programs
3. Liquidity: if there are any liquidity issue on a CEX (centralized exchange)

0x19f9007e29023DbbdE105Ca7763340fce3f164e6